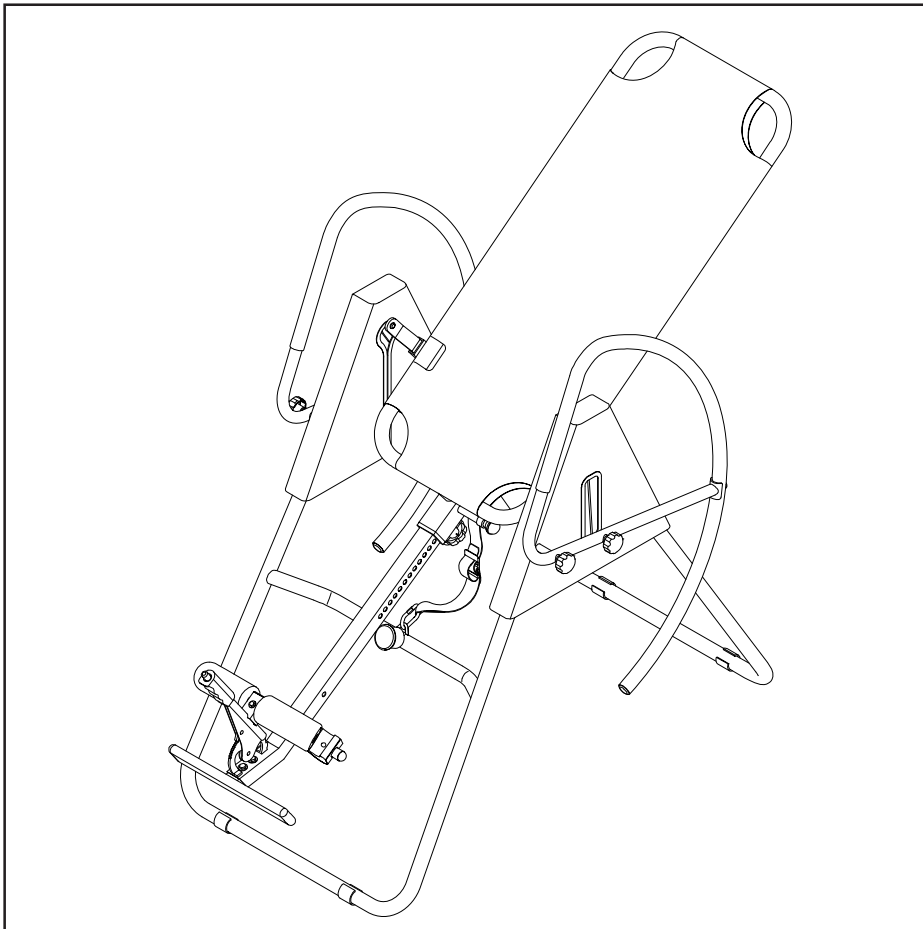


STAMINA[®]

ASSISTED INVERSION PRO

Owner's Manual



⚠ WARNING ⚠

Exercise can present a health risk. Consult a physician before beginning any exercise program with this equipment. If you feel faint or dizzy, immediately discontinue use of this equipment. Serious bodily injury can occur if this equipment is not assembled and used correctly. Serious bodily injury can also occur if all instructions are not followed. Keep others and pets away from equipment when in use. Always make sure all bolts and nuts are securely tightened prior to each use. Follow all safety instructions in this manual.

When calling for parts or service, please specify the following number:

Model#: 55-1529B
STAMINA PRODUCTS
MADE IN CHINA

**Product May Vary Slightly
From Pictured.**

CAUTION: 1. Weight on this product should not exceed 250 lbs.
2. Class H equipment: This equipment is for home use only. It is not for commercial use.

This Product is Produced Exclusively by



2040 N. Alliance, Springfield, MO 65803
Customer Service Number
1 (800) 375-7520
www.staminaproducts.com

TABLE OF CONTENTS

	Page		Page
Safety Instructions	2	Maintenance Instructions	13
Before You Begin	4	Product Parts Drawing	14
Equipment Warning & Notice Labels	5	Parts List	15
Hardware Identification Chart	6	Warranty	17
Assembly Instructions	7	Notes	18
Operational Instructions	11	Fax/Mail Ordering Form	19

SAFETY INSTRUCTIONS

WARNING: To reduce the risk of serious injury, read the following safety instructions before using the **Assisted Inversion Pro**.

1. Do not use the **Assisted Inversion Pro** alone. Always have a helper available in case assistance is needed in recovering from the decline position.
2. Make sure that the **Assisted Inversion Pro** is properly assembled before use. Pay close attention to Step 13 on page 10.
3. Make sure that the Pad Tubes as assembled with the ends pointed down as directed in STEP 5 on page 8. The ends must be pointed downward to properly secure the users feet in place during inversion. Improper assembly will allow the users feet to come loose allowing the user to fall from the inversion table.
4. Do not use the **Assisted Inversion Pro** until you have verified your height setting. Failure to use the proper height setting can result in difficulty recovering from the decline position. See **HEIGHT ADJUSTMENT** instructions on page 11.
5. Always make sure that Heel Holder mechanism is properly locked when using the **Assisted Inversion Pro**.
6. Adjust the Nylon Straps to an angle of 15 to 20 degrees and use this setting until you have verified your height setting and become familiar with the **Assisted Inversion Pro**.
7. You must understand how to recover from the fully inverted position before using the fully inverted position. Read the **RECOVERY FROM LOCKED POSITION** section at the bottom of page 13 **BEFORE** using the fully inverted position.
8. Do not allow children to use or play on the **Assisted Inversion Pro**.
9. Keep small children and pets away from the **Assisted Inversion Pro** at all times.
10. The **Assisted Inversion Pro** should not be used by persons weighing more than 250 lbs.
11. The **Assisted Inversion Pro** should not be used by persons over 6 feet 6 inches tall.
12. Use the **Assisted Inversion Pro** only on a level surface.
13. Wear appropriate clothing when exercising; do not wear loose clothing that could become caught in the **Assisted Inversion Pro**.
14. Be sure that there is enough room for the bed to rotate completely.
15. Use the **Assisted Inversion Pro** only as described in the manual.
16. The safety level of the **Assisted Inversion Pro** can be maintained only if it is examined regularly for damage and wear.
17. This equipment is for home use only. It is not for commercial use.

WARNING: Before using this equipment you should consult with your personal physician to see if inversion equipment is appropriate for you. **Do not use this equipment without your physician's approval.** Do not use this equipment if you have any of the following conditions or ailments:

- **Extreme obesity**
- **Glaucoma, retinal detachment or conjunctivitis**
- **Pregnancy**
- **Spinal injury, Cerebral Sclerosis, or acutely swollen joints**
- **Middle ear infection**
- **High blood pressure, Hypertension, Recent stroke or Transient ischemic attack**
- **Heart or circulatory disorders for which you are being treated**
- **Hiatus hernia or Ventral hernia**
- **Bone weaknesses including Osteoporosis, Unhealed fractures, Medullary pins, or Surgically implanted orthopedic supports.**
- **Use of anti-coagulants including Aspirin in high doses.**

CALL US FIRST



Customer Service

1 (800) 375-7520

www.staminaproducts.com

THANK YOU FOR PURCHASING THE Assisted Inversion Pro

To help you get started, we have pre-assembled most of your Assisted Inversion Pro at the factory with the exception of those few parts left unassembled for shipping purposes. Simply follow the few assembly instructions set forth in this manual. With regular workouts, you will be getting your body into shape and be on your way to achieving a happier and healthier lifestyle.

Should you have any questions,
please call our Customer Service Department toll-free number,
1 (800) 375-7520

Monday - Thursday, 7:30 A.M. - 5:00 P.M., Central Time.

Friday, 8:00 A.M. - 3:00 P.M., Central Time.



TELEPHONE

CUSTOMER SERVICE
Tel: 1 (800) 375-7520



FAX

CUSTOMER SERVICE
Fax: (417) 889-8064



ONLINE

CUSTOMER SERVICE
customerservice@staminaproducts.com
www.staminaproducts.com



MAIL

STAMINA PRODUCTS, INC.
ATTN: Customer Service
P.O. Box 1071
Springfield, MO. 65801-1071

BEFORE YOU BEGIN

Thank you for choosing the **Assisted Inversion Pro**. We take great pride in producing this quality product and hope it will provide many hours of quality exercise to make you feel better, look better, and enjoy life to its fullest.

It's a proven fact that a regular exercise program can improve your physical and mental health. Too often, our busy lifestyles limit our time and opportunity to exercise. The **Assisted Inversion Pro** provides a convenient and simple method to begin your assault on getting your body in shape and achieving a happier and healthier lifestyle.

Before reading further, please review the drawing below and familiarize yourself with the parts that are labeled.

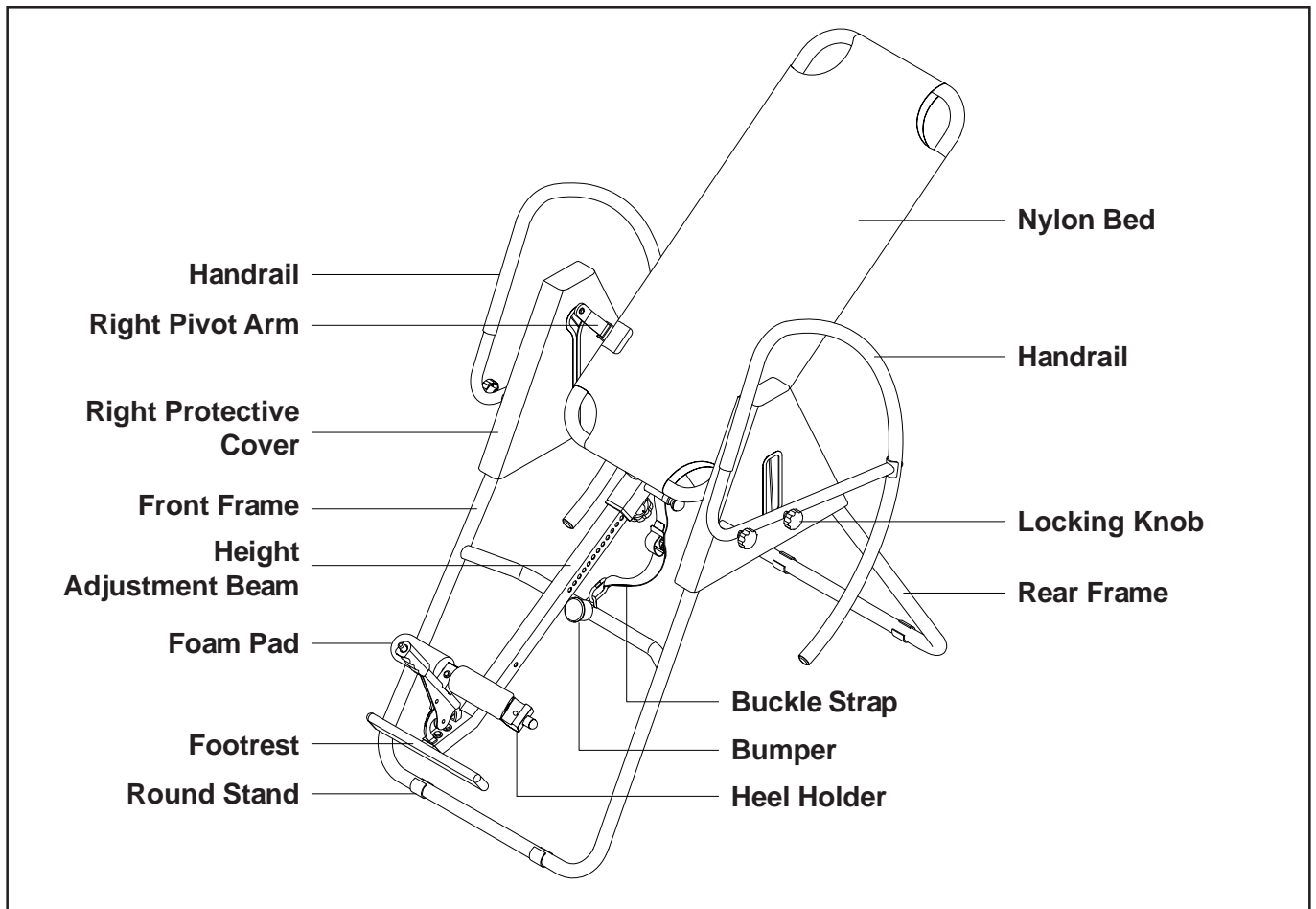
Read this manual carefully before using the **Assisted Inversion Pro**.

Although Stamina constructs its products with the finest materials and uses the highest standards of manufacturing and quality control, there can sometimes be missing parts or incorrectly sized parts. If you have any questions or problems with the parts included with your **Assisted Inversion Pro**, please do not return the product. Contact us **FIRST!**

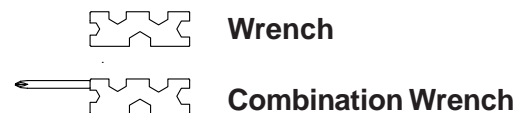
If a part is missing or defective, please call us toll free at 1-800-375-7520 (in the U.S.). Our Customer Service Staff is available to assist you from 7:30 A.M. to 5:00 P.M. (Central Time) Monday through Thursday and 8:00 A.M. to 3:00 P.M. (Central Time) on Friday.

If you would like to contact us online, go to our website at www.staminaproducts.com and access the Customer Service section.

Be sure to have the name and model number of the product available when you contact us.



THE FOLLOWING TOOLS ARE INCLUDED FOR ASSEMBLY :




EQUIPMENT WARNING & NOTICE LABELS

This chart is provided to help identify the warning and notice labels on the **Assisted Inversion Pro**. Please take a moment to familiarize yourself with all of the warning and notice labels.

Label is larger than actual size

W1 WARNING LABEL(57)

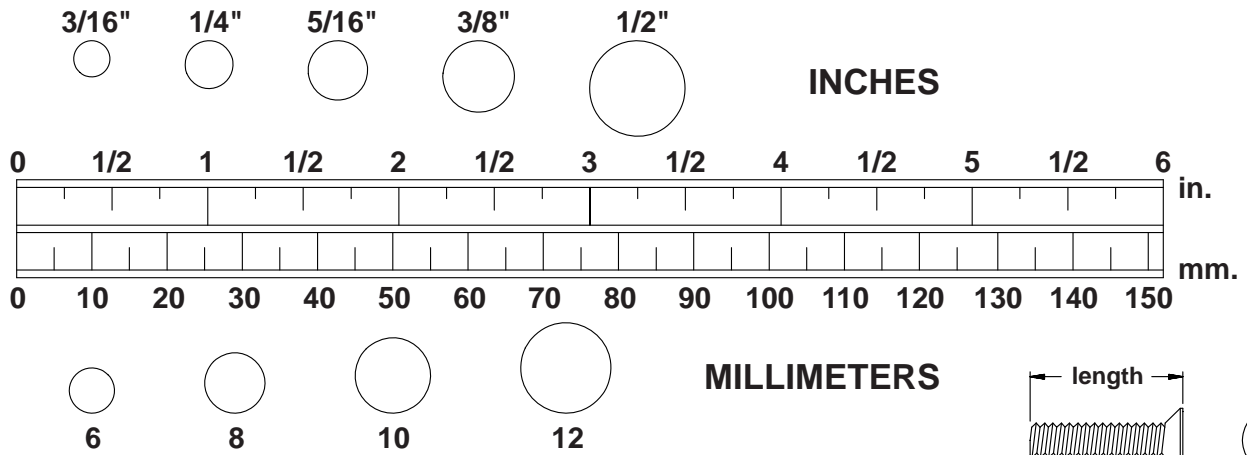
 WARNING	<p>Keep others including children & pets away from equipment when in use. BEFORE BEGINNING THIS OR ANY EXERCISE PROGRAM, CONSULT YOUR PHYSICIAN. THIS IS ESPECIALLY IMPORTANT FOR PERSONS OVER THE AGE OF THIRTY-FIVE OR WITH PREEXISTING HEALTH PROBLEMS. STAMINA® ASSUMES NO RESPONSIBILITY FOR PERSONAL INJURY OR PROPERTY DAMAGE SUSTAINED BY OR THROUGH THE USE OF THIS PRODUCT. Make sure all nuts and bolts are securely tightened, and follow all safety tips and instructions set forth herein. This product should not be used by persons weighing more than 250 lbs. unless otherwise stated in the front of your manual.</p>
<p>Failure to comply with these warnings could result in serious injury or death. All warnings and instructions are to be read prior to use. Replace this warning label if damaged, illegible, or removed.</p>	

W2 WARNING DECAL(61)

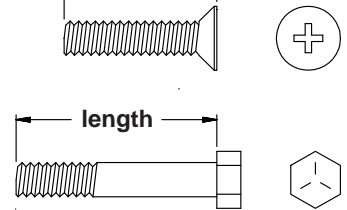


HARDWARE IDENTIFICATION CHART

This chart is provided to help identify the hardware used in the assembly process. Place the washers or the ends of the bolts or screws on the circles to check for the correct diameter. Use the small scale to check the length of the bolts and screws.



NOTICE: The length of all bolts and screws, except those with flat heads, is measured from below the head to the end of the bolt or screw. Flat head bolts and screws are measured from the top of the head to the end of the bolt or screw.

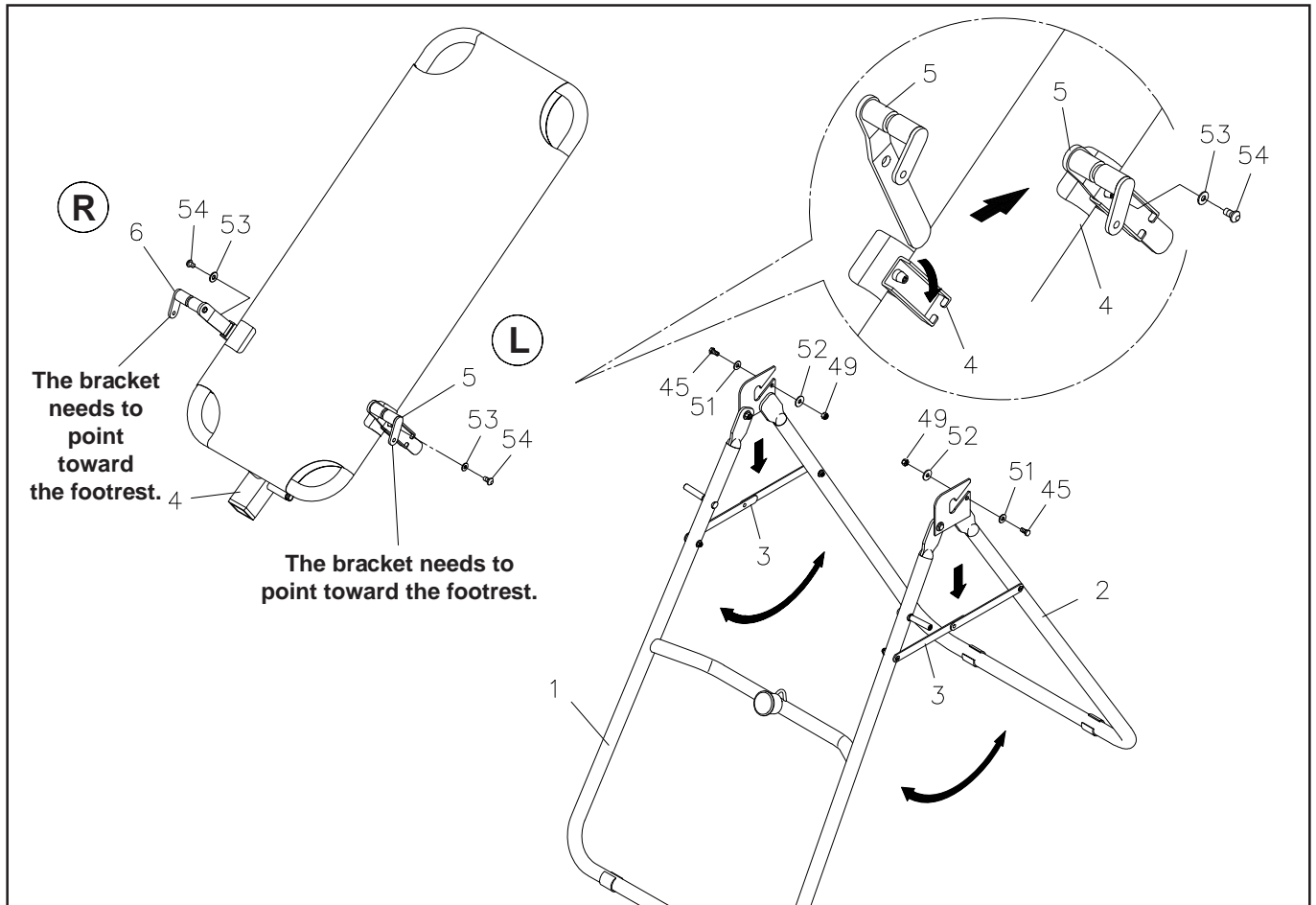


After unpacking the unit, open the hardware bag and make sure that you have all the following items. Some hardware may be already attached to the part.

	Part No. and Description	Qty
	43 Bolt, Hex Head (M6 x 1 x 42mm)	1
	44 Bolt, Hex Head (M6 x 1 x 47mm)	1
	45 Bolt, Hex Head (M8 x 1.25 x 15mm)	2
	46 Bolt, Hex Head (M8 x 1.25 x 25mm)	2
	47 Bolt, Hex Head (M8 x 1.25 x 50mm)	2
	48 Nylock Nut (M6 x 1)	2
	49 Nylock Nut (M8 x 1.25)	6
	50 Washer (M6)	4
	51 Washer (M8)	10
	52 Large Washer (M8)	2
	53 Large Washer (M6)	2
	54 Bolt, Round Head (M6 x 1 x 10mm)	2

ASSEMBLY INSTRUCTIONS

Place all parts from the box in a cleared area and position them on the floor in front of you. Remove all packing materials from your area and place them back into the box. Do not dispose of the packing materials until assembly is completed. Read each step carefully before beginning. If you are missing a part please call our toll-free number for assistance 1-800-375-7520 or e-mail us at customerservice@staminaproducts.com.



STEP 1

Unfold the **BASE ASSEMBLY** to an upright position by moving the **FRONT FRAME(1)** away from **REAR FRAME(2)**. Then push down on the middle of the two **FOLDING LINKAGES(3)** until they are fully locked down.

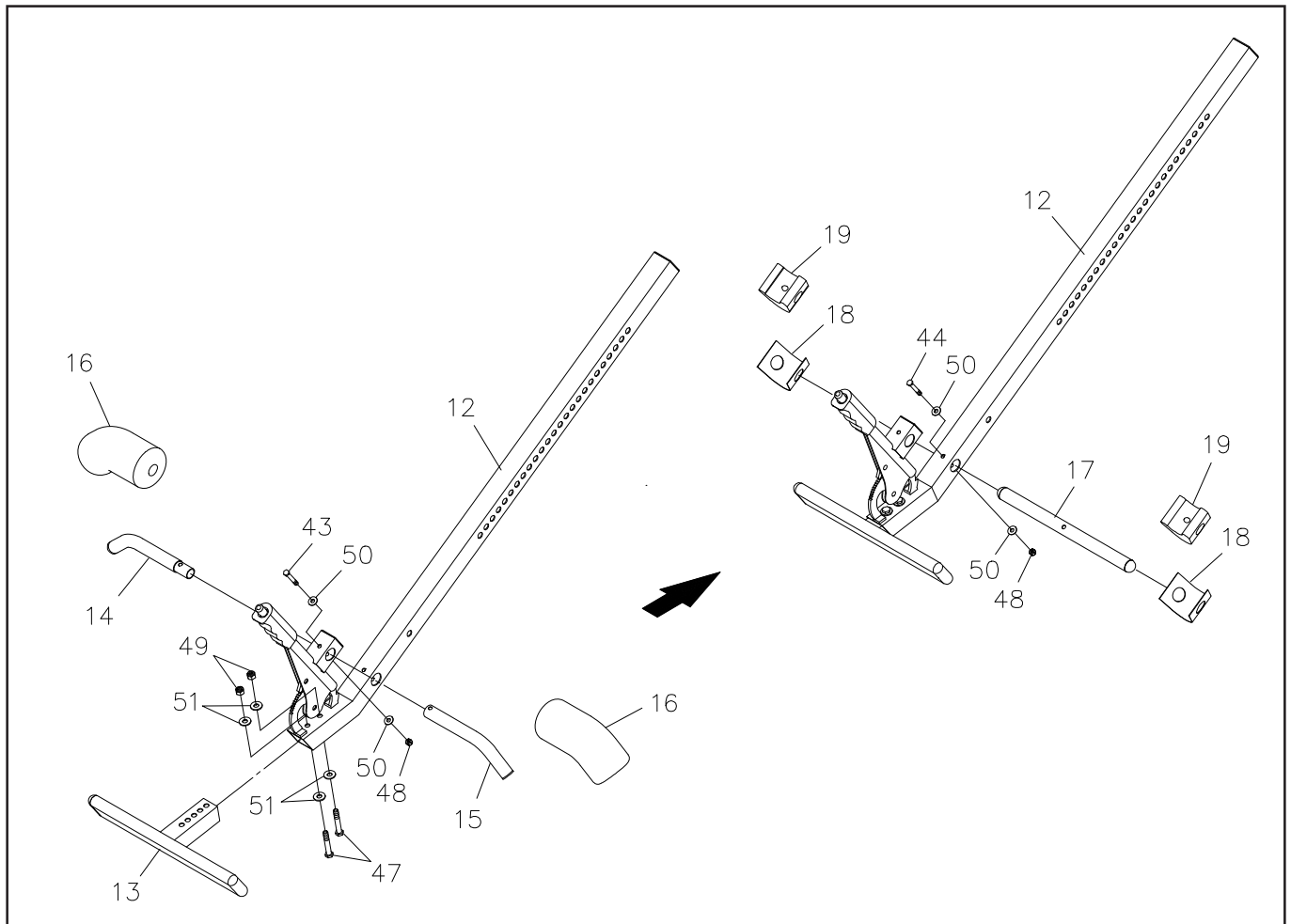
STEP 2

There is an "L" decal on the **LEFT PIVOT ARM(5)**, and an "R" decal on the **RIGHT PIVOT ARM(6)**. Slide the bottom of the **LEFT** and **RIGHT PIVOT ARMS(5, 6)** into the brackets located at each side of the **MAIN FRAME(4)**. Align the hole on the arm with the peg on the bracket, and insert the peg into the hole to lock the **PIVOT ARMS(5, 6)** in position. Then secure the **PIVOT ARMS(5, 6)** on the pegs with **ROUND HEAD BOLTS(M6x1x10mm)(54)** and **LARGE WASHERS(M6)(53)**.

STEP 3

Attach the **MAIN FRAME(4)** onto the **REAR FRAME(2)** by sliding the slots in the ends of the **PIVOT ARMS(5, 6)** into the slots on the **REAR FRAME(2)**. Secure the **PIVOT ARMS(5, 6)** in the slots by screwing the **HEX BOLTS(M8x1.25x15mm)(45)**, **WASHERS(M8)(51)**, **LARGE WASHERS(M8)(52)**, and **NYLOCK NUTS(M8x1.25)(49)** onto the brackets on the **REAR FRAME(2)**.

ASSEMBLY INSTRUCTIONS



STEP 4

Attach the **FOOTREST(13)** to the **HEIGHT ADJUSTMENT BEAM(12)** with **HEX BOLTS(M8x1.25x50mm)(47)**, **WASHERS(M8)(51)**, and **NYLOCK NUTS(M8x1.25)(49)**.

NOTE: The five holes in the **FOOTREST(13)** allow the **FOOTREST(13)** to be attached in three different positions. Start with the center position and adjust if necessary. Use the outer position if users are taller than average. Use the inner position if users are shorter than average.

STEP 5

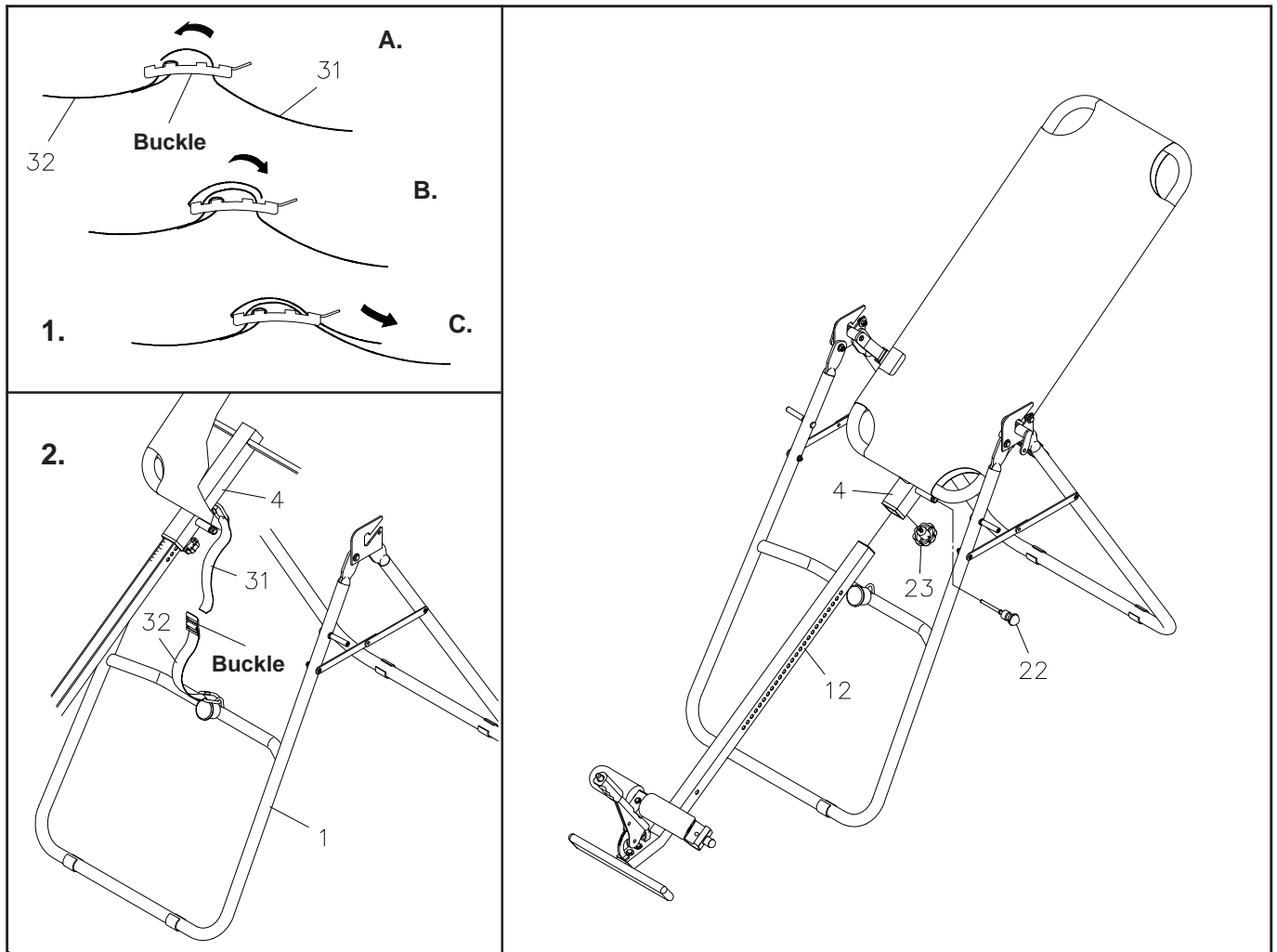
Insert the **OUTER PAD TUBE(15)** through the hole on the **HEIGHT ADJUSTMENT BEAM(12)**. Insert the **INNER PAD TUBE(14)** into the **OUTER PAD TUBE(15)**. Align the holes on the **INNER PAD TUBE(14)**, **OUTER PAD TUBE(15)**, and **HEIGHT ADJUSTMENT BEAM(12)**, then bolt them together with **HEX BOLT (M6x1x42mm)(43)**, **WASHERS(M6)(50)**, and **NYLOCK NUT(M6x1)(48)**.

WARNING: The **PAD TUBES(14, 15)** must be assembled with the ends pointed downward as shown. The ends must be pointed downward to properly secure the users feet in place during inversion. Improper assembly will allow the user's feet to come loose and the user will fall from the inversion table.

STEP 6

Insert the **HEEL HOLDER TUBE(17)** through the hole on the **HEIGHT ADJUSTMENT BEAM(12)** and secure with **HEX BOLT(M6x1x47mm)(44)**, **WASHERS(M6)(50)**, and **NYLOCK NUT(M6x1)(48)**. Place a **HEEL HOLDER BRACKET(18)** onto a **HEEL HOLDER(19)**, then slide them onto **HEEL HOLDER TUBE(17)** together. Repeat on other side.

ASSEMBLY INSTRUCTIONS



STEP 7

Screw the **SPRING PIN(22)** into the **MAIN FRAME(4)**. Install the **HEIGHT ADJUSTMENT BEAM(12)** into **MAIN FRAME(4)** by pulling the **SPRING PIN(22)** on the **MAIN FRAME(4)** and inserting the **HEIGHT ADJUSTMENT BEAM(12)** as shown. For added safety, thread the **SECURING KNOB(23)** into the back side of the **MAIN FRAME(4)**.

WARNING: Do not use the **Assisted Inversion Pro** until you have verified your height setting. Failure to use the proper height setting can result in difficulty recovering from the decline position. See **HEIGHT ADJUSTMENT** instructions on page 11.

STEP 8

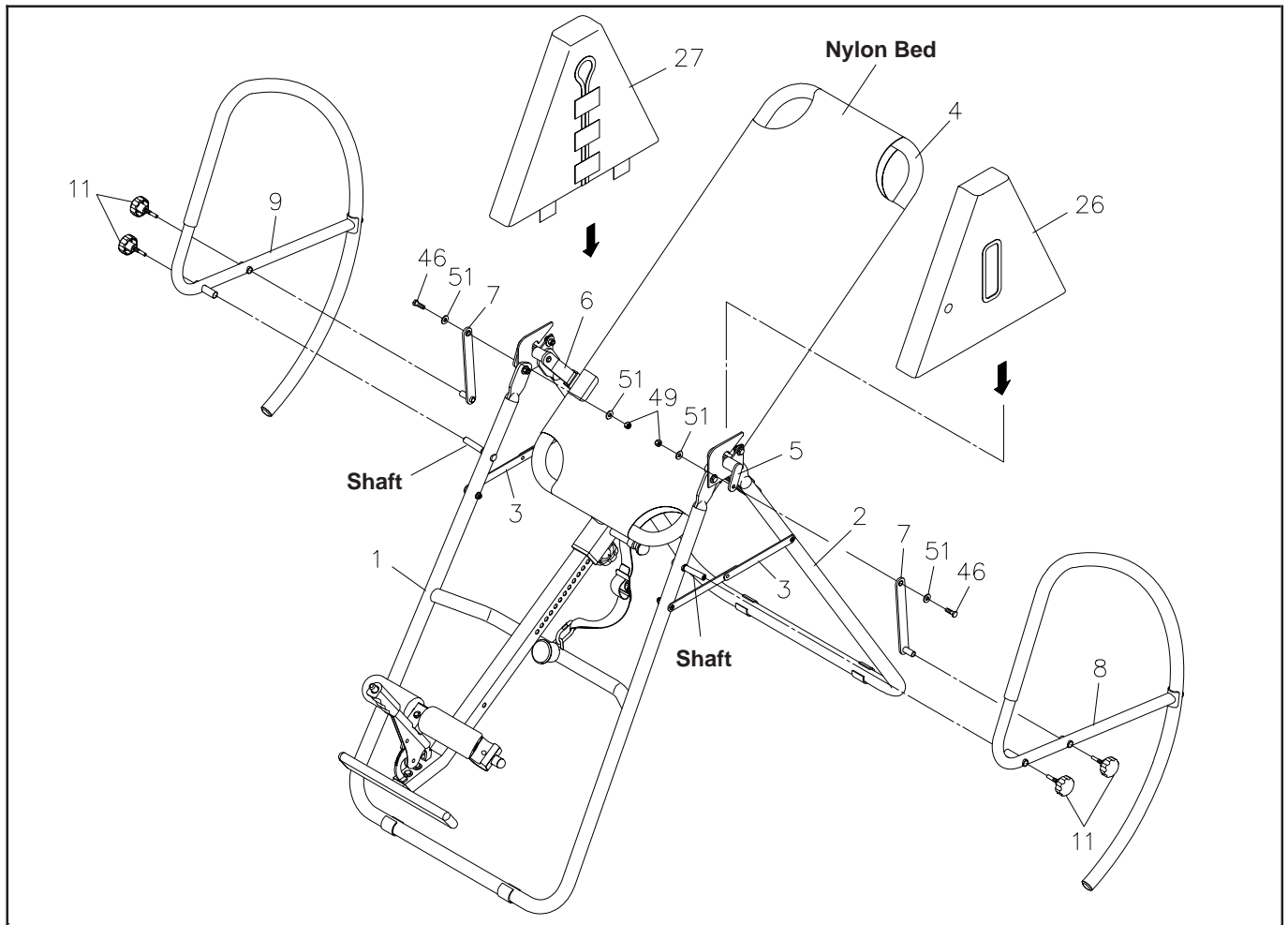
Attach the **NYLON STRAP(31)** to the **BUCKLE** on the end of the **BUCKLE STRAP(32)** by inserting the end of the strap up through the bottom of the buckle, as shown in illustration 1.

STEP 9

Hook the end of the **NYLON STRAP(31)** onto the loop on the back of the **MAIN FRAME(4)**. Hook the end of the **BUCKLE STRAP(32)** onto the loop on the **FRONT FRAME(1)**.

NOTE: The **NYLON STRAPS** are used to control the decline angle of the **Assisted Inversion Pro**. For a steeper decline angle, lengthen the straps. For a lesser decline angle, shorten the straps. Make sure these **NYLON STRAPS** are tight in the buckle and check the decline angle before using the **Assisted Inversion Pro**.

ASSEMBLY INSTRUCTIONS



STEP 10

Attach the **LINKAGES(7)** to the **LEFT** and **RIGHT PIVOT ARMS(5, 6)** with **HEX BOLTS(M8x1.25x25mm)(46)**, **WASHERS(M8)(51)**, and **NYLOCK NUT(M8x1.25)(49)**. **DO NOT OVER TIGHTEN THE BOLTS.**

STEP 11

Slide the **LEFT** and **RIGHT PROTECTIVE COVERS(26, 27)** onto each side of the **BASE ASSEMBLY**, and pull the covers down until the bottom of the covers are slightly lower than the **FOLDING LINKAGES(3)**. Make sure the **SHAFTS** on the **FRONT FRAME(1)** poke out through the hole on the **PROTECTIVE COVERS(26, 27)**. Secure the **PROTECTIVE COVERS(26, 27)** to the **FOLDING LINKAGES(3)** with the **SECURING STRAPS** on the covers.

NOTE: When the **PROTECTIVE COVERS(26, 27)** are assembled correctly the **FOLDING LINKAGES(3)** should not be visible.

STEP 12

Attach the **LEFT** and **RIGHT HANDRAIL ASSEMBLYS(8, 9)** to the **SHAFTS** on both sides of the **FRONT FRAME(1)** and then connect to the **LINKAGES(7)** with the **LOCKING KNOBS(11)**.

STEP 13

Verify that the handlebars function correctly before using the **Assisted Inversion Pro**. Move the Nylon Bed on the **MAIN FRAME(4)** backward toward the inverted position. The **HANDRAILS(10)** must move forward as the **MAIN FRAME(4)** moves backward. If the **HANDRAILS(10)** do not move forward check **ASSEMBLY STEPS 2, 10, 11, and 12**.

OPERATIONAL INSTRUCTIONS

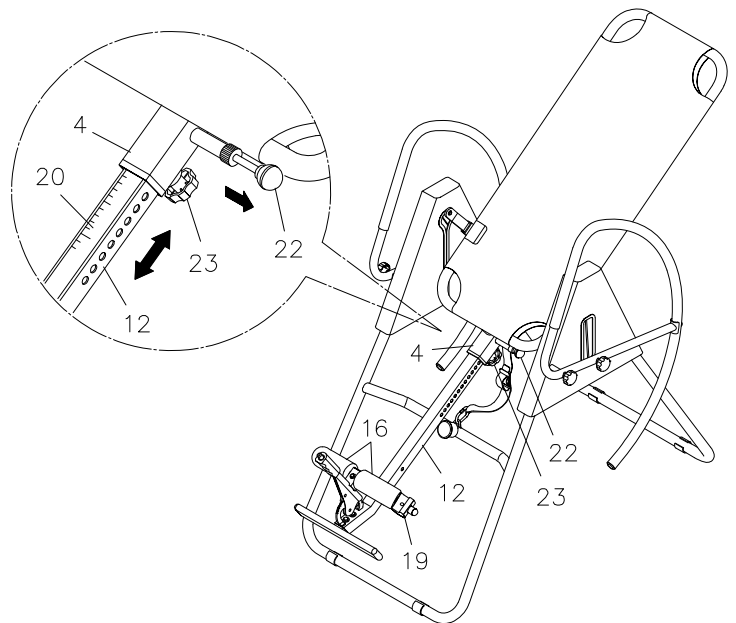
GENERAL PRECAUTIONS

1. Do not use the **Assisted Inversion Pro** alone. Always have a helper available in case assistance is needed in recovering from the decline position.
2. Make sure that the **FOAM PADS(16)** and **HEEL HOLDERS(19)** are holding your feet securely.
3. Make sure that the **HEIGHT ADJUSTMENT BEAM(12)** is properly set for your height.
4. Make sure that the **HEIGHT ADJUSTMENT BEAM(12)** is held securely by both the **SPRING PIN(22)** and the **SECURING KNOB(23)**.
5. Make sure that there is enough room for the bed to rotate completely.

HEIGHT ADJUSTMENT

The **Assisted Inversion Pro** is a very sensitive balance device. It responds to very slight changes in weight distribution. It is very important to make sure that the height adjustment is adjusted properly. Use the following procedure to set the height adjustment and balance the **Assisted Inversion Pro**.

1. Adjust the **NYLON STRAPS** to restrict movement to approximately 15 degrees beyond the horizontal position. The nylon straps should not allow the **Assisted Inversion Pro** to go into the full inversion position while you are setting the height adjustment.
2. Loosen the **SECURING KNOB(23)** under the **MAIN FRAME(4)**.
3. Pull the **SPRING PIN(22)** and use the **SCALE DECAL(20)** to set the **HEIGHT ADJUSTMENT BEAM(12)**.
4. Tighten the **SECURING KNOB(23)**.
5. Mount the machine.
6. Lock your ankles into the **FOAM PADS(16)** and **HEEL HOLDERS(19)**.
7. Lie back with your hands at your sides.
8. Slowly raise your hands to your chest.
9. If your feet are higher than your head, dismount and try a taller setting. If you do not rotate to a position close to level, dismount and try a shorter setting.



NOTE: The **Assisted Inversion Pro** should return to the upright position when your hands are below your waist. If it does not, use a taller setting.

HANDRAILS

The **Assisted Inversion Pro** features a set of Handrails for added convenience and safety. The Handrails are connected to the bed with linkages so that pulling on the Handrails will move the bed away from the inverted position toward the upright position.

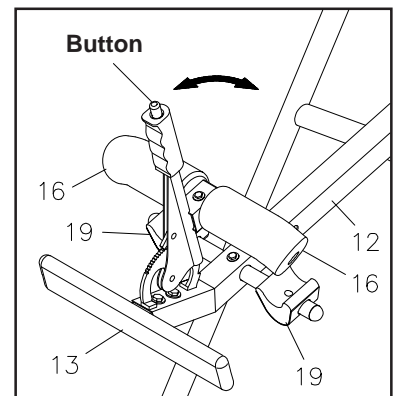
1. Pull the Handrails to pull yourself to the upright position from any degree of inversion. If you wish to return to the upright position and the bed is not moving or moving too slowly, grasp and pull the Handrails until you return to the upright position.
2. Grasp the Handrails to control the speed of inversion or stop the inversion.

WARNING: Make sure that the Handrails are functioning properly before going into full inversion.

OPERATIONAL INSTRUCTIONS

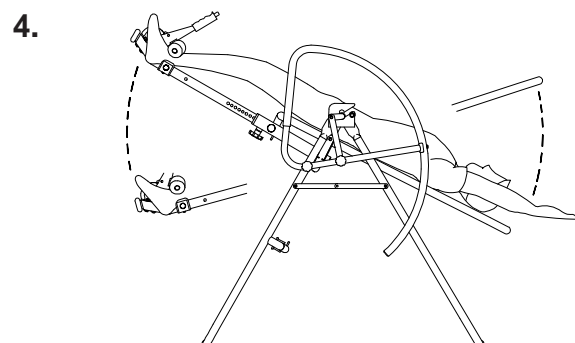
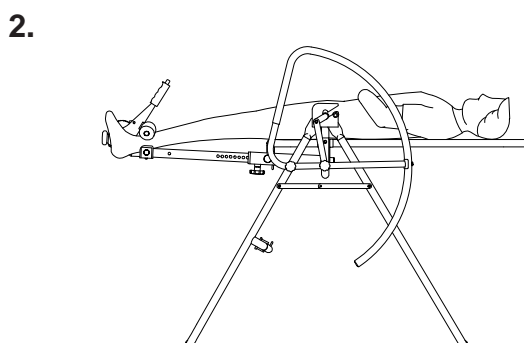
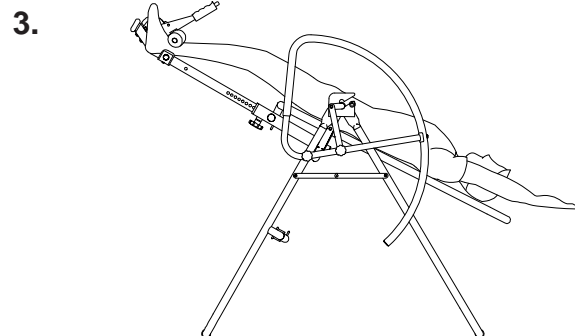
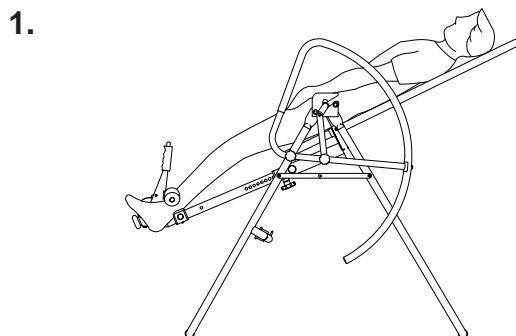
HEEL HOLDER USE AND ADJUSTMENT

1. Place your feet on the **FOOTREST(13)** with your ankles between the **HEEL HOLDERS(19)** and **FOAM PADS(16)**.
2. The **HEIGHT ADJUSTMENT BEAM(12)** includes a lever to grip and release your feet. Pull the lever toward you until your ankles are securely held between the **HEEL HOLDERS(19)** and **FOAM PADS(16)**.
3. To release your feet or relax the grip, pull the lever toward you slightly and press the button on the end of the lever.



USING THE INVERSION TABLE

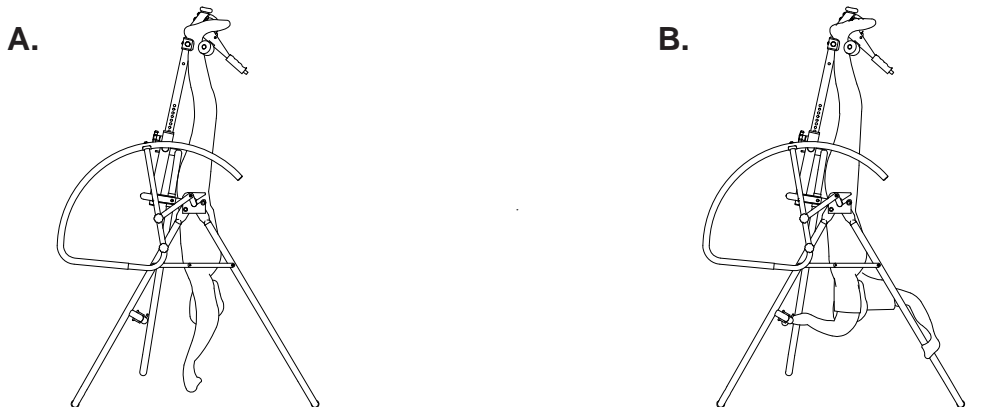
1. Start by lying fully back on the bed with your hands at your side, or resting on your thighs.
2. Keeping your hands close to your body begin to raise your arms slowly allowing the table to rotate backward. Stop, or lower your arms to control the downward rotation of the table.
3. Raise your arms until they are over your head. At this point, the inversion table will be as far back as it can go.
4. As you get more comfortable with the use, rock the bed slowly by moving your arms up and down slowly.
5. A gentle swinging motion will alternately put your spine in traction and compression. This rhythmic type of traction is used by many hospitals and doctors to treat certain back problems.
6. It is recommended that the inversion table be used for five or ten minutes each morning, and again each evening.
7. Return to the upright position by slowly moving your hands back down to your thighs.



OPERATIONAL INSTRUCTIONS

SUGGESTIONS FOR USE

1. Begin slowly; invert only 15-20 degrees to begin with. Stay inverted only as long as you are comfortable. Return upright slowly.
2. Make gradual changes: increase the angle only if it is comfortable. Increase the angle only a few degrees at a time. Increase the time of use 1-2 minutes up to ten over a period of weeks. Add stretching and light exercise only after you are comfortable with inversion.
3. Watch your body: come up slowly, dizziness after a session means you came up too fast. Wait a while after eating before using table. If you get nauseous, do not fight it, come up as soon as you feel queasy.
4. Keep moving: movement while inverted encourages blood, lymph, and spinal fluid circulation and aids in alignment of bones and organs. Movement may be accomplished by either rhythmic traction or light exercise. Do not exercise strenuously while inverted. Limit partial inversion without movement to one or two minutes. Limit full inversion with no movement to only a few seconds.
5. Invert regularly: we recommend two or three times a day depending upon your current condition. Try to schedule it for the same times each day.



LOCKING THE BED

When the inversion table rotates past the vertical inverted position the bed becomes locked, and will not return to the upright position in the usual way. The locked position allows you to hang straight upside-down completely free of the bed. This position allows you to enjoy all of the benefits of a handstand, with none of the discomforts, as shown in illustration A.

To get into the locked position, if necessary, adjust the **HEIGHT ADJUSTMENT BEAM(12)** shorter, and then mount and use normally. When your arms are completely extended above your head, the bed will rotate all the way to the locked position.

CAUTION: You must understand how to recover from the fully inverted position before using the fully inverted position. Read the **RECOVERY FROM LOCKED POSITION** section below **BEFORE** using the fully inverted position.

RECOVERY FROM LOCKED POSITION

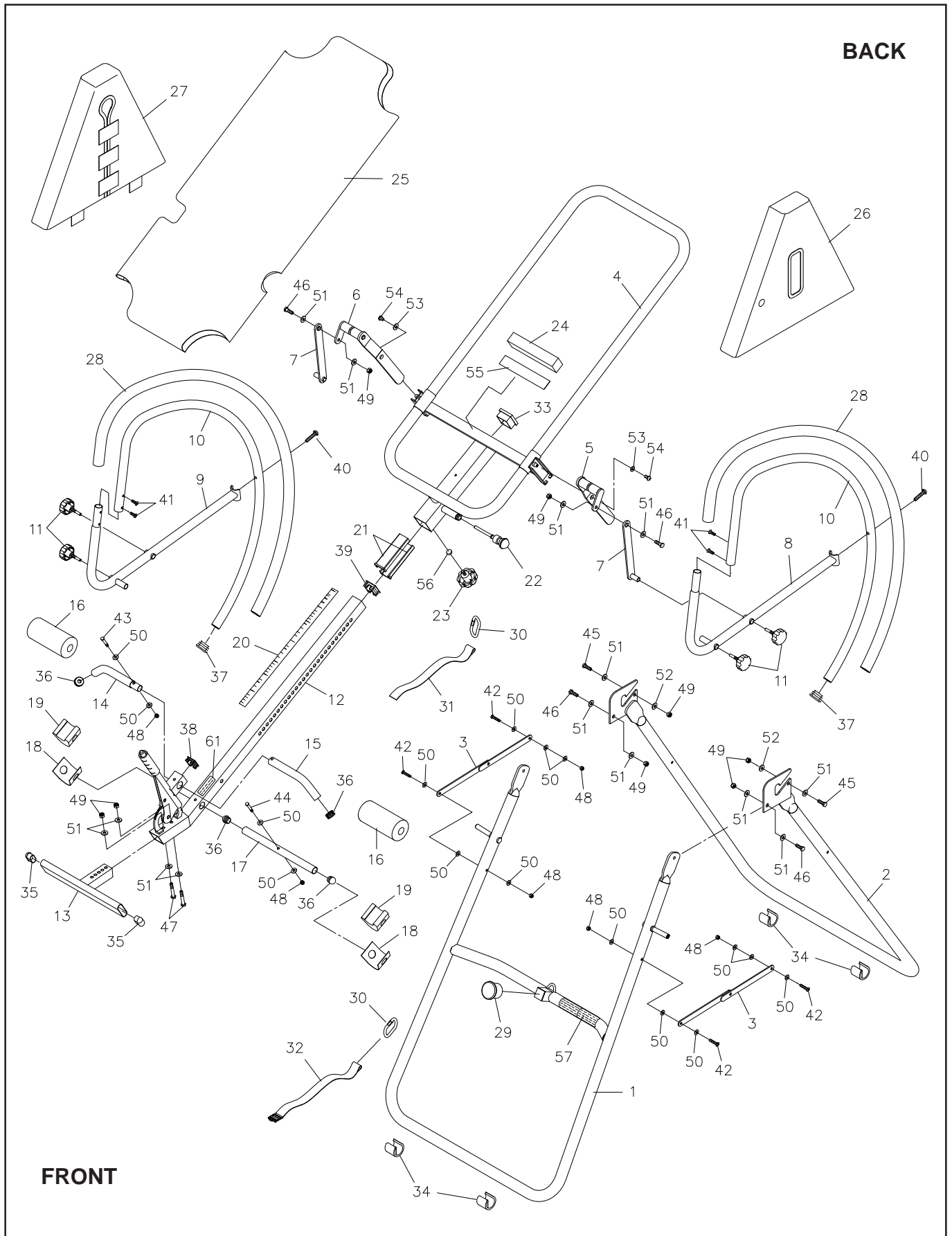
To recover from the locked position, simply grab the **HANDRAILS** and pull on them while pushing back on the **HEEL HOLDERS(19)** with your legs. If you can not reach the **HANDRAILS**, then you can still recover by grabbing the back of the bed with one hand, the **REAR FRAME(2)** with the other, and pulling your hands together, as shown in illustration B.

MAINTENANCE INSTRUCTIONS

The safety level of the **Assisted Inversion Pro** can be maintained only if it is examined regularly for damage and wear.

1. Check the nylon strap, strap buckle, pivot arms, nylon bed, heel holders, foam pads, and spring pin for damage and wear.
2. Replace damaged and worn components immediately and/or keep the equipment out of use until repairs are complete.

PRODUCT PARTS DRAWING



PARTS LIST

PART#	PART NAME	QTY
1	Front Frame	1
2	Rear Frame	1
3	Folding Linkage	2
4	Main Frame	1
5	Left Pivot Arm	1
6	Right Pivot Arm	1
7	Linkage	2
8	Left Handrail Support	1
9	Right Handrail Support	1
10	Handrail	2
11	Locking Knob	4
12	Height Adjustment Beam	1
13	Footrest	1
14	Inner Pad Tube	1
15	Outer Pad Tube	1
16	Foam Pad	2
17	Heel Holder Tube	1
18	Heel Holder Bracket	2
19	Heel Holder	2
20	Scale Decal	1
21	Bushing	2
22	Spring Pin	1
23	Securing Knob	1
24	Foam Cushion	1
25	Nylon Bed	1
26	Left Protective Cover	1
27	Right Protective Cover	1
28	Foam Grip	2
29	Bumper	1
30	Hook	2
31	Nylon Strap	1
32	Buckle Strap	1
33	Hollow Cap	1
34	Round Stand	4
35	Oval Plug (20mm x 60mm)	2
36	Dome Plug (7/8")	4
37	Round Plug (1")	2
38	Square Plug (1 5/16" x 1 5/16")	1
39	Square Plug (1 1/2" x 1 1/2")	1
40	Bolt, Button Head (M6 x 1 x 40mm)	2
41	Bolt, Round Head (M6 x 1 x 8mm)	4
42	Bolt, Round Head (M6 x 1 x 45mm)	4
43	Bolt, Hex Head (M6 x 1 x 42mm)	1
44	Bolt, Hex Head (M6 x 1 x 47mm)	1
45	Bolt, Hex Head (M8 x 1.25 x 15mm)	2
46	Bolt, Hex Head (M8 x 1.25 x 25mm)	4
47	Bolt, Hex Head (M8 x 1.25 x 50mm)	2

PARTS LIST

PART#	PART NAME	QTY
48	Nylock Nut (M6 x 1)	6
49	Nylock Nut (M8 x 1.25)	8
50	Washer (M6)	16
51	Washer (M8)	14
52	Large Washer (M8)	2
53	Large Washer (M6)	2
54	Bolt, Round Head (M6 x 1 x 10mm)	2
55	Double sided Tape	1
56	Support Washer	1
57	Warning Label	1
58	Wrench	1
59	Combination Wrench	1
60	Manual	1
61	Warning Decal	1

WARRANTY

Stamina Products, Inc. warrants that this product will be free from defects in materials and workmanship under normal use, service and proper operation for a period of 90 days on the parts and five years on the frame from the date of the original purchase from an authorized retailer. **THIS WARRANTY SHALL NOT APPLY TO ANY PRODUCT WHICH HAS BEEN SUBJECT TO COMMERCIAL USE, ABUSE, MISUSE, ALTERATION OF ANY TYPE OR CAUSE OR TO ANY DEFECT OR DAMAGE CAUSED BY REPAIR, REPLACEMENT, SUBSTITUTION OR USE WITH PARTS OTHER THAN PARTS PROVIDED BY STAMINA PRODUCTS, INC.** Commercial use includes use of the product in athletic clubs, health clubs, spas, gymnasiums, exercise facilities, and other public or semipublic facilities whether or not the product's use is in furtherance of a profit making enterprise, and all other use which is not for personal, family, or household purposes.

To implement this limited warranty, send a written notice stating your name, date, and place of purchase and a brief description of the defect along with your receipt to **Stamina Products, Inc. P.O. Box 1071, Springfield Missouri, USA, 65801-1071**, or email us at **customerservice@staminaproducts.com**, or call us at **1-800-375-7520**. If the defect is covered under this limited warranty, you will be requested to return the product or part to us for free repair or replacement at our option. **NO ACTION FOR BREACH OF THIS LIMITED WARRANTY MAY BE COMMENCED MORE THAN ONE (1) YEAR AFTER THE DATE THE ALLEGED BREACH WAS OR SHOULD HAVE BEEN DISCOVERED. NO ACTION FOR BREACH OF ANY IMPLIED WARRANTY MAY BE COMMENCED MORE THAN ONE (1) YEAR AFTER DELIVERY OF THE PRODUCT TO THE PURCHASER.** This limited warranty is not transferable. **IF ANY PART OF THE PRODUCT IS NOT IN COMPLIANCE WITH THIS LIMITED WARRANTY OR ANY IMPLIED WARRANTY, THE REMEDY OF REPAIR OR REPLACEMENT IS THE EXCLUSIVE REMEDY AVAILABLE TO YOU.** In the event that the purchaser makes any claim under this limited warranty or any implied warranty, the Warrantor reserves the right to require the product to be returned for inspection, at the purchaser's expense, to the Warrantor's premises in Springfield, Missouri. Return of the enclosed warranty registration card is not required for warranty coverage, but is merely a way of establishing the date and place of purchase.

Stamina Products, Inc. **SHALL NOT BE LIABLE FOR THE LOSS OF USE OF ANY PRODUCT, LOSS OF TIME, INCONVENIENCE, COMMERCIAL LOSS OR ANY OTHER INDIRECT, CONSEQUENTIAL, SPECIAL OR INCIDENTAL DAMAGES DUE TO BREACH OF THE ABOVE WARRANTY OR ANY IMPLIED WARRANTY.**

This limited warranty is the only written or express warranty given by Stamina Products, Inc. This warranty gives you specific legal rights, and you may also have other legal rights which vary from state to state. **ANY OTHER RIGHT WHICH YOU MAY HAVE, INCLUDING ANY IMPLIED WARRANTY OR MERCHANTABILITY OR FITNESS FOR A PARTICULAR PURPOSE, IS LIMITED IN DURATION TO THE DURATION OF THIS WARRANTY.**

The laws in some jurisdictions restrict the rights of manufacturers and distributors of consumer goods to disclaim or limit implied warranties and consequential and incidental damages with respect thereto. If any such law is found to be applicable, the foregoing disclaimers and limitations of and on implied warranties and consequential and incidental damages with respect thereto shall be disregarded and shall be deemed not to have been made to the extent necessary to comply with such legal restriction.

NOTES

